

PC15 Series

5 Port Pilot Operated Solenoid Valve
Rubber Seal/Sub-base Mounting Type

PCS2415

2-position, single solenoid

PCD2415

2-position, double solenoid

PCD3415

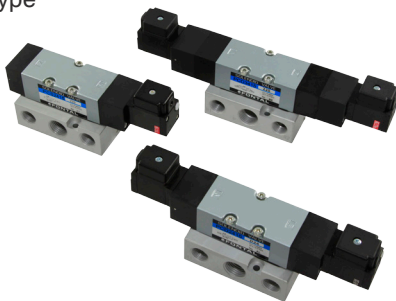
3-position, closed center

PCE3415

3-position, ABR connect

PCO3415

3-position, PAB connect



Specifications

Model No.	Unit	PCS2415	PCD2415	PCD3415 PCE3415	PCO3415
Fluid		Non-lubricated/lubricated air			
Port size		Ports 1, 2 & 4: RC $\frac{1}{2}$		Ports 3 & 5: RC $\frac{3}{8}$	
Effective area	mm ²	70		60	
Cv value		3.80		3.25	
Operating ambient temperature	°C	-5 ~ 50			
Pressure range	MPa	0.2 ~ 0.8		0.25 ~ 0.8	
Maximum frequency	cycle/min	120			
0.5Mpa response time	s	ON 0.035 OFF 0.060	ON 0.02	ON 0.025 OFF 0.110	
Rated voltage	V	AC110, 220, DC24			
Grade of insulation		JIS grade B			
Permissible voltage fluctuation	%	AC \pm 10, DC+10 - 15			
Rated frequency	Hz	50 / 60			
Power consumption	AC	Holding	50Hz	(110 / 220) 3.2	
			60Hz	(110 / 220) 2.6	
		Inlush	50Hz	(110 / 220) 5	
			60Hz	(110 / 220) 4.5	
Power consumption DC	W	2			
Wiring		Lead wire, Grommet with terminal, Conduit with terminal, DIN connector			
Mass	kg	0.73	0.81	0.94	0.94

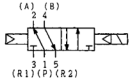


- Supply complete-dry air to avoid freezing when temperature of valve site falls below 5°C
- Response time shown above is in accordance with JIB B 8375
- Effective area shown above is the value between port 1 and 2, 4

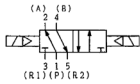
PCS2415 - **04** - **110 L**

Model No.

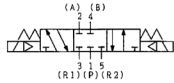
PCS2415



PCD2415



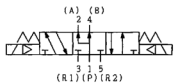
PCD3415



PCE3415



PCO3415



Manual override

No mark : Standard (Non locking)
 ※ L : With locking button

Wiring

- L : Lead wire
- G : Grommet with terminal
- C : Conduit with terminal
- ※ GK : Grommet with surge suppressor
- ※ CK : Conduit with surge suppressor
- D : DIN connector
- DK : DIN connector with surge suppressor

Voltage

- 110 : AC110V
- 220 : AC220V
- D24 : DC24V

Port size

- 04 : RC½
- NB : Without sub-base

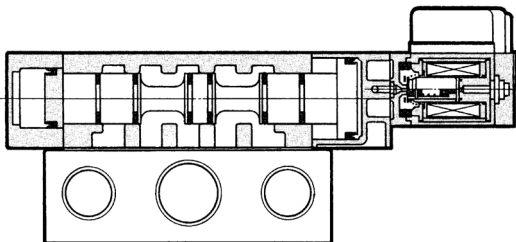
Special specifications

- No mark : Standard (Internal pilot)
- X : External pilot (Pilot port on sub-base)

☰ ※ : Made to order

Construction

© PCS2415



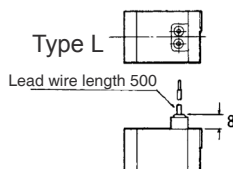
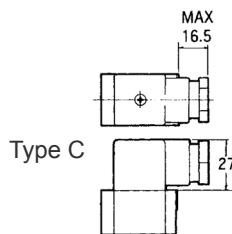
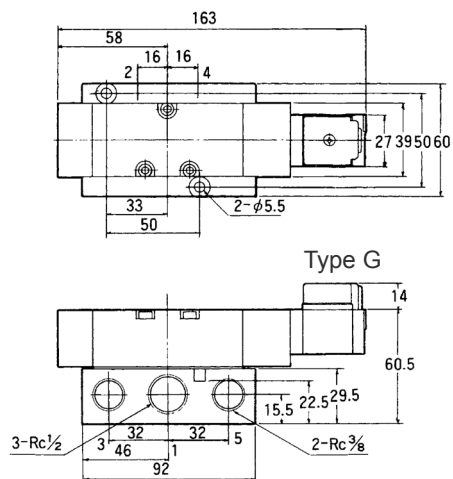
Optional

Sub-base

Port size	Model No.
RC½	PC15-SB-04
RC½ (For external pilot: M5)	PC15-SB-X04

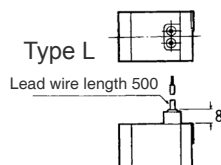
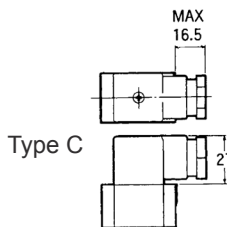
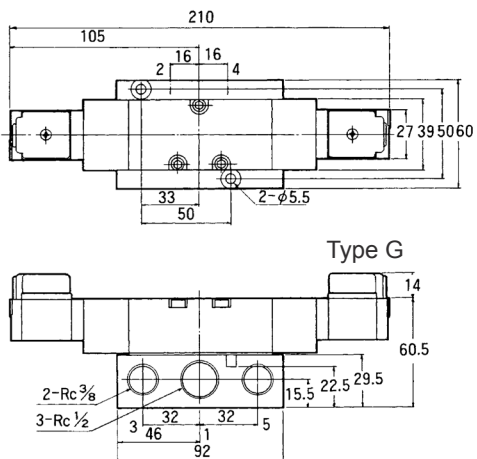
PCS2415

(Unit: mm)



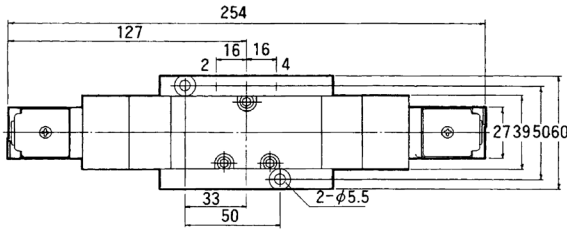
PCD2415

(Unit: mm)



PCD3415 , PCE3415 , PCO3415

(Unit: mm)



Type G

