

MFU□-RC08 Series

Individual Wiring Type Manifold
Bar Type

MFU□-RC08

Common SUP, common
EXH, port 2 & 4 on the body



Manifold Specifications

| | | |
|--------------------------|-----------|----------------------------------------------------------------------------------------|
| Type of manifold | | MFU□-RC08 Common SUP, common EXH, port 2 & 4 on valve body |
| Port size | Port 1 | Rc% (Both sides) |
| | Port 3, 5 | Rc% (Both sides) |
| | Port 2, 4 | Rc% (Valve body) |
| Number of stations | | 2~10 |
| Mountable solenoid valve | | RCS2408-※-※-MF RCD2408-※-※-MF RCD3408-※-※-MF RCE3408-※-※-MF RCO3408-※-※-MF |
| Blank plate | | RC08-BP |



Label

- Specify the type and number of manifolds and solenoid valves, as well as number of blank plates in accordance with the following example.

Example: MFU8-RC08-03

| | |
|-----------------|--------|
| RCS2408-03-110G | 4 pcs. |
| RCD2408-03-110G | 2 pcs. |
| RCD3408-03-110G | 1 pcs. |
| RC08-BP | 1 pcs. |

Manifold



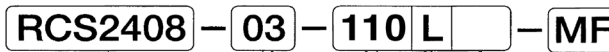
Type of manifold
MFU: Common SUP, common EXH,
port 2 & 4 on the body

Port size 2&4
03: Rc%

Mountable solenoid valve series
RC08: RC08 series

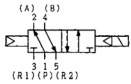
Number of stations
2 : 2 stations
: :
: :
10 : 10 stations

Mountable solenoid valve

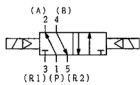


Model No.

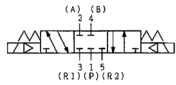
RCS2408



RCD2408



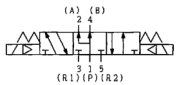
RCD3408



RCE3408



RCO3408



For manifold

Manual override
No mark : Standard
(Non locking)
※ L : With locking button

Wiring
L : Lead wire
G : Grommet with terminal
C : Conduit with terminal
※ GK : Grommet with surge suppressor
※ CK : Conduit with surge suppressor
D : DIN connector
DK : DIN connector with surge suppressor

Voltage
110 : AC110V
220 : AC220V
D24 : DC24V

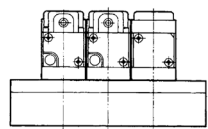
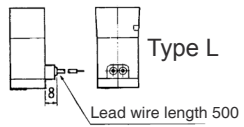
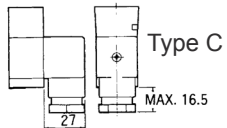
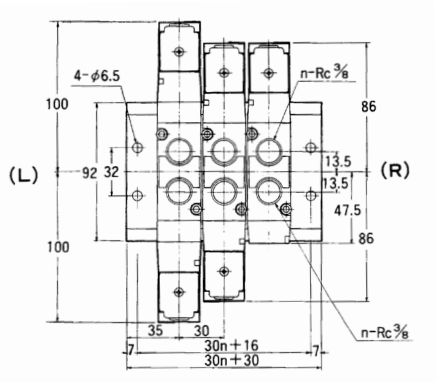
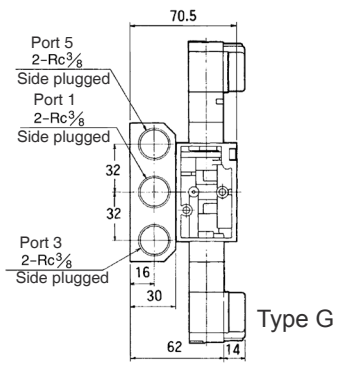
Port size
03: Rc%

※ : Made to order

MFU□-RC08

(Unit: mm)

(Note) Standard manifold is plugged on "R" (Right) side ports.



PC/RC06, 08, 15