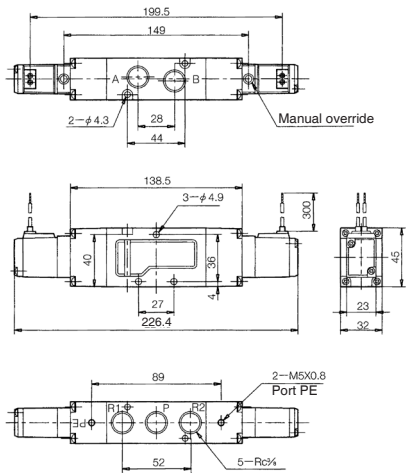


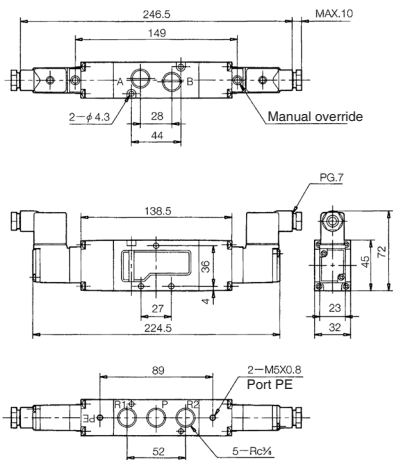
RKD3450, RKE3450, RKO3450

(Unit: mm)

Lead wire type

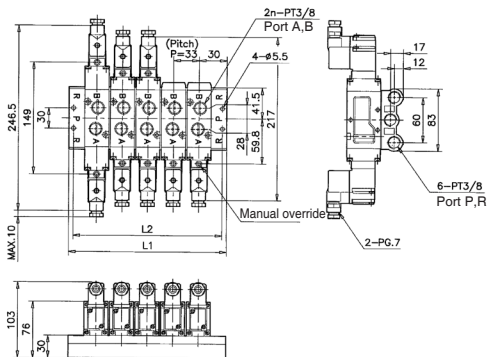
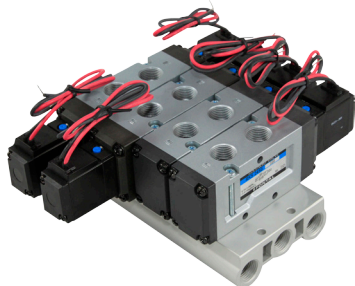


DIN connector type



MFU□ - RK50

(Unit: mm)



© When the amount of manifolds is greater than 8 rows, supply air from hole P on both sides, and discharge air from hole R on both sides.

L \ N	2	3	4	5	6	7	8	9	10
	L <sub>1</sub>	93	126	159	192	225	258	291	324
L <sub>2</sub>	80	113	146	179	212	245	278	311	344