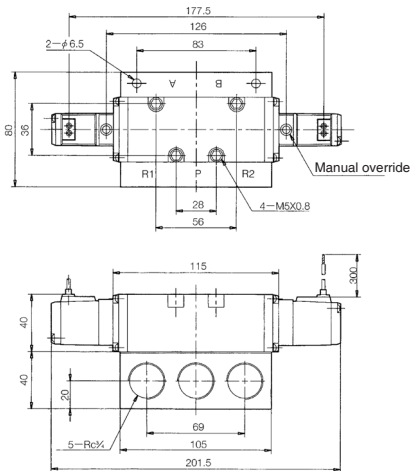


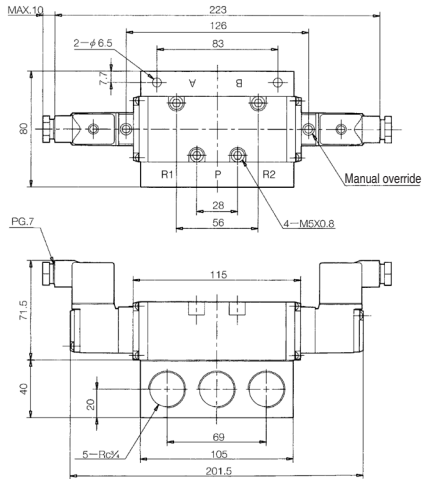
PKD3480-06, PKE3480-06, PKO3480-06

(Unit: mm)

Lead wire type



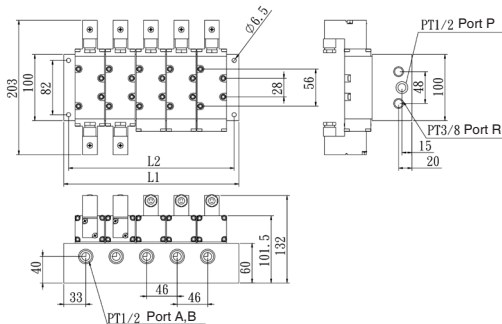
DIN connector type



RK, PK

MFS□ - PK80

(Unit: mm)



© When the amount of manifolds is greater than 8 rows, supply air from hole P on both sides, and discharge air from hole R on both sides.

N \ L	2	3	4	5	6	7	8
L ₁	124	170	216	262	308	354	400
L ₂	112	158	204	250	296	342	388