

# HHV Series

Manual Valve  
Iron core seal/ Direct mounting type

Manual Valve  
**HHV2306**  
**HHV2406**

- With large effective area, pneumatic cylinder can be directly driven.



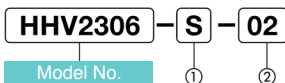
## Specifications

| Model No.                     | Unit            | HHV2306-S                        | HHV2306-SL | HHV2406-S | HHV2406-SL |
|-------------------------------|-----------------|----------------------------------|------------|-----------|------------|
| Port size                     |                 | RC1/4                            |            |           |            |
| Effective area                | mm <sup>2</sup> | 11: RC1/4                        |            |           |            |
| Effective fluid               |                 | Oil-free air /oil-lubricated air |            |           |            |
| Operating ambient temperature | °C              | -5~60                            |            |           |            |
| Pressure range                | MPa             | 0~1                              |            |           |            |
| Operating torque              | N·cm            | 19.6                             |            |           |            |
| Weight                        | g               | 400                              | 440        | 500       | 540        |



- When the temperature falls below 5 °C, please provide air dryer to prevent water frozen.

## Representation



### ① Type

- S : Rotary switch
- SL : Long-handled rotary switch

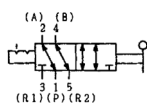
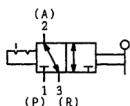
### ② Bore

- 02: Rc1/4

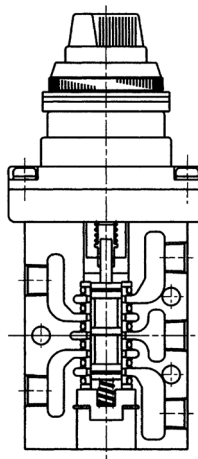
## JIS Label

HHV2306

HHV2406

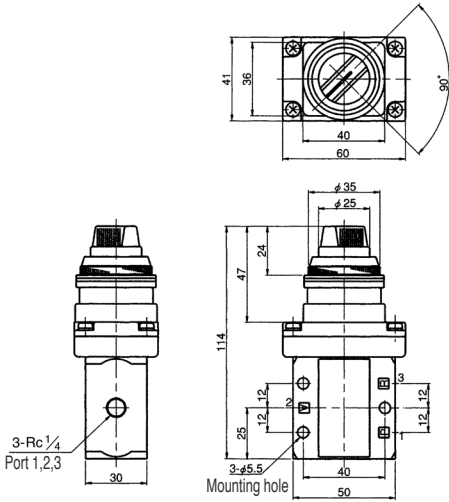


## Construction



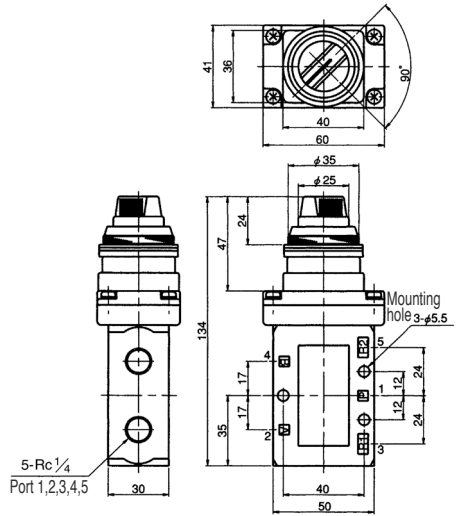
HHV2306-S

(Unit: mm)



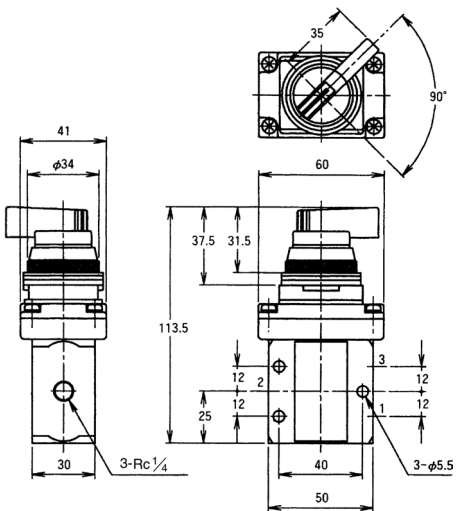
HHV2406-S

(Unit: mm)



HHV2306-SL

(Unit: mm)



HHV2406-SL

(Unit: mm)

