

# HSV Series

Manual Valve  
Iron core seal/ Direct mounting type

Press-button valve  
**HSV2306**  
**HSV2406**

- Sealability is great, installation compatible with multi positions, can be used with ease.
- With large effective area, no need to lubricate with oil.
- Metal structure with long usage life and enhanced stability.



## Specifications

Model No.	Unit	HSV2306-F	HSV2306-M	HSV2306-L	HSV2406-F	HSV2406-M	HSV2406-L
Port size		RC $\frac{1}{4}$					
Effective area	mm <sup>2</sup>	11: RC $\frac{1}{4}$					
Effective fluid		Oil-free air /oil-lubricated air					
Operating ambient temperature	°C	-5~60					
Pressure range	MPa	0~1					
Operating torque	N·cm	9.8					
Weight	g	370	400	410	470	500	510



• When the temperature falls below 5 °C, please provide air dryer to prevent water frozen.

## Representation

**HSV2306** - **F** **B** - **02**

Model No.

① ② ③

### ① Type

- F : Flat
- M : Medium flat
- L : Large

### ② Type

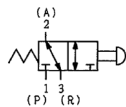
- B : Black
- G : Green
- R : Red

### ③ Bore

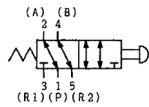
02: Rc $\frac{1}{4}$

## JIS Label

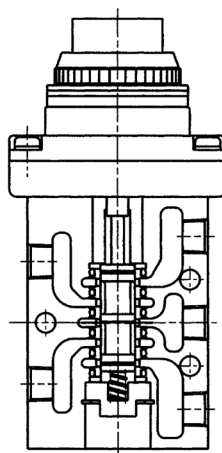
HSV2306



HSV2406

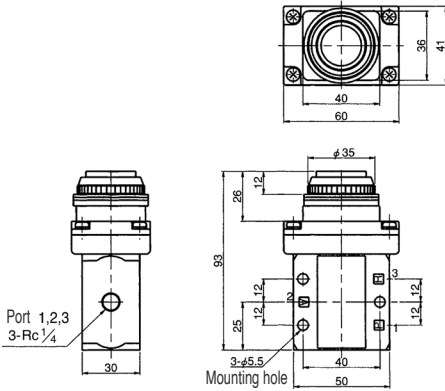


## Construction



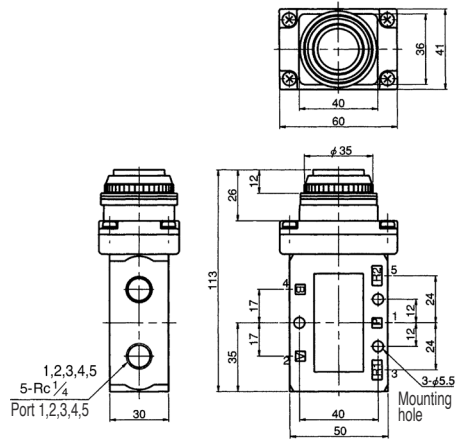
HSV2306-F

(Unit: mm)



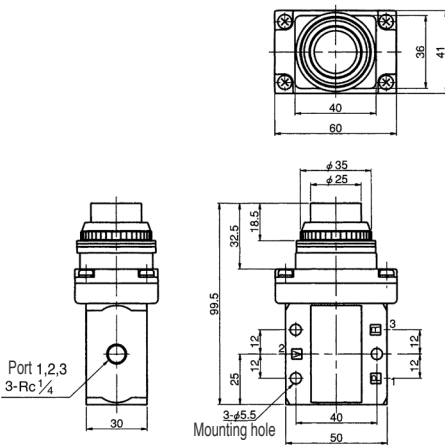
HSV2406-F

(Unit: mm)



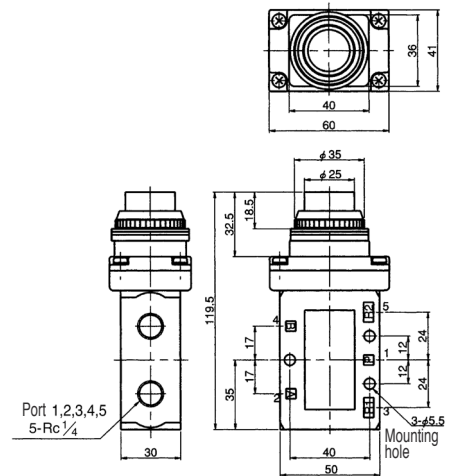
HSV2306-M

(Unit: mm)



HSV2406-M

(Unit: mm)



HSV2306-L

(Unit: mm)

HSV2406-L

(Unit: mm)

