

# PM6 Series

5-Port Pilot Operated Solenoid Valve  
Metal Seal/Sub-base Mounting type

## PMS246

2-position, single solenoid

## PMD246

2-position, double solenoid

## PMD346

3-position, closed center

## PME346

3-position, ABR connect

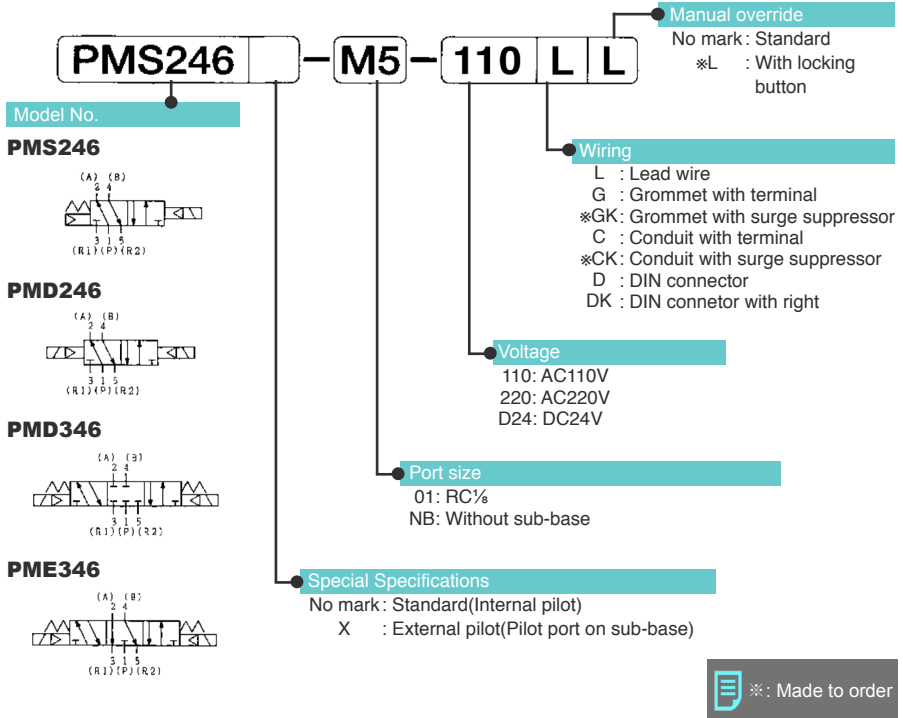


## Specifications

Model No.		Unit	PMS246	PMD246	PMD346	PME346
Fluid			Non-lubricated/lubricated air			
Port size			RC $\frac{1}{8}$			
Effective area		mm <sup>2</sup>	6.5			
CV value			0.35			
Operating ambient temperature		°C	-5~60			
Operating pressure range		MPa	0.15~1		0.2~1	
Maximum frequency		cycle/min	360			
Response time (at 0.5MPa)		s (average)	ON 0.022 OFF 0.012	ON 0.010	ON 0.015 OFF 0.015	
Rated voltage		V	AC/110, 220 DC24			
Grade of insulation			JIS grade B			
Permission voltage fluctuation		%	AC $\pm$ 10 DC+10-15			
Rated frequency		Hz	50/60			
Apparent power	AC	Holding	50Hz	VA	3.2 (110/220)	
			60Hz	VA	2.6 (110/220)	
	Inrush	50Hz	VA	5 (110/220)		
		60Hz	VA	4.5 (110/220)		
Power consumption DC		W	2			
Wiring			Lead wire, Grommet with terminal, Conduit with terminal, DIN connector			
Mass		kg	0.16	0.24	0.26	0.26



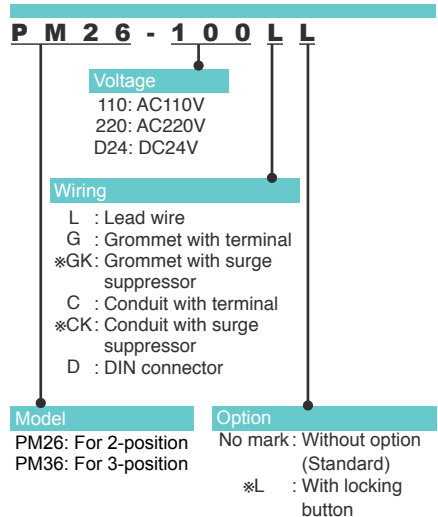
- Supply complete-dry air to avoid freezing when temperature of valve site falls below 5°C
- Response time shown above is in accordance with JIB B 8375
- Effective area shown above is a value between ports 1 and 2, 4



Optional Parts and Spare Parts

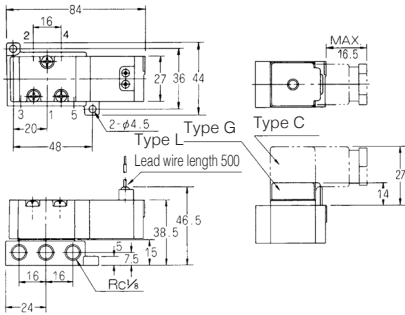
Parts Name		Model No.
Sub-base	RC $\frac{1}{8}$	PM6-SB-01
	RC $\frac{1}{8}$ (For external pilot)	PM6-SB-X01
Base gasket		PM6-G
Spring	For 2-position	PM6-SS
	For 3-position	

Pilot valve



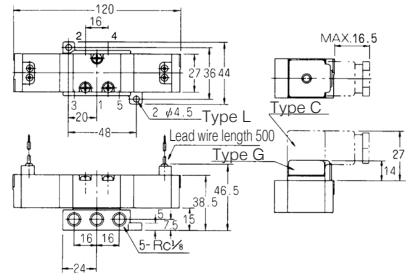
PMS246

(Unit: mm)



PMD246

(Unit: mm)



PMD346, PME346

(Unit: mm)

