

MSV Series

Mechanical Valve
Iron core seal/ Direct mounting type

Mechanical Valve
MSV2306(3-port)
MSV2406(5-port)

- Sealability is great, installation compatible with multi positions, can be used with ease
- With large effective area, no need to lubricate with oil
- Metal structure with long usage life and enhanced stability



Specifications

Model No.	Unit	MSV2306-VR	MSV2306-VA	MSV2306-RA	MSV2306-RP	MSV2306-PG
Port size		RC $\frac{1}{4}$				
Effective area	mm ²	11: RC $\frac{1}{4}$				
Effective fluid		Oil-free air/ oil-lubricated air				
Operating ambient temperature	°C	-5~70				
Pressure range	MPa	0~1				
Weight	g	300	360	320	300	300

Model No.	Unit	MSV2406-VR	MSV2406-VA	MSV2406-RA	MSV2406-RP	MSV2406-PG
Port size		RC $\frac{1}{4}$				
Effective area	mm ²	11: RC $\frac{1}{4}$				
Effective fluid		Oil-free air/ oil-lubricated air				
Operating ambient temperature	°C	-5~70				
Pressure range	MPa	0~1				
Weight	g	400	460	420	400	400



• When the temperature falls below 5 °C, please provide air dryer to prevent water frozen.

Representation

MSV2306 - **VA** - **02**

Model No.

①

②

① Type

VR: Adjustable rod-length type

VA: Deformable roller type

RA: Roller type

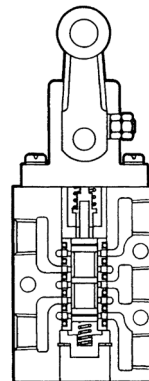
RP: Roller piston type

PG: Piston type

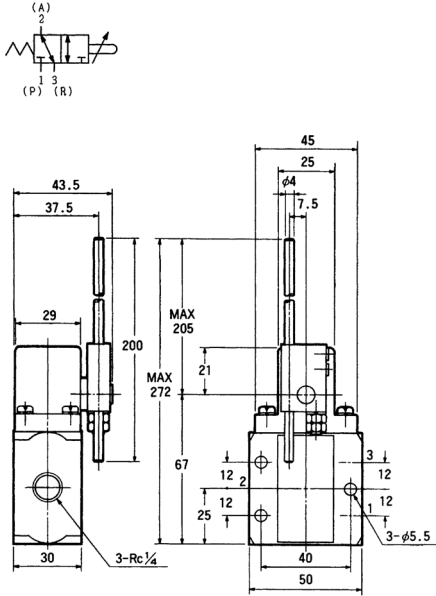
② Bore

02: Rc $\frac{1}{4}$

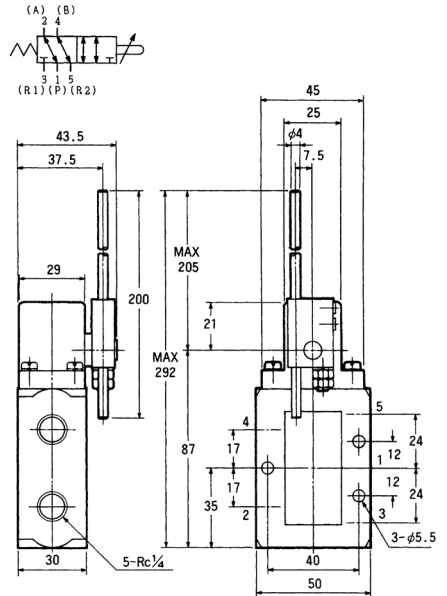
Construction



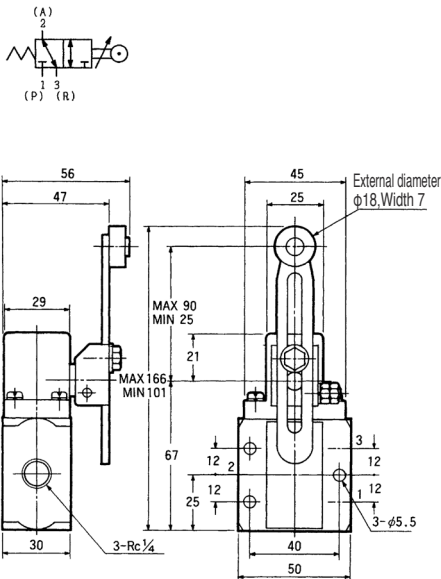
MSV2306-VR (Unit: mm)



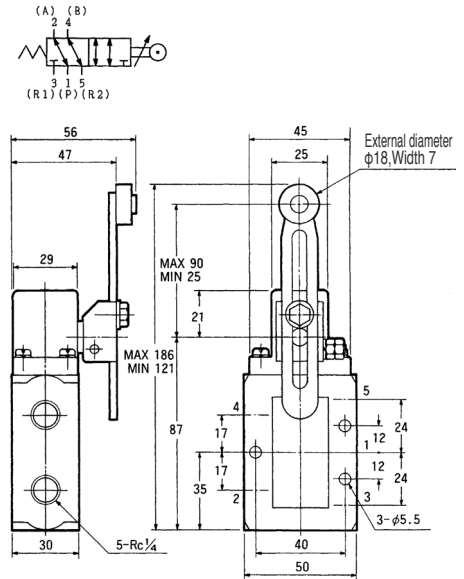
MSV2406-VR (Unit: mm)



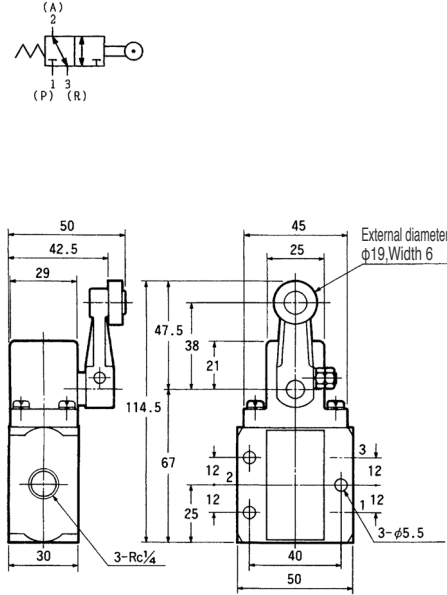
MSV2306-VA (Unit: mm)



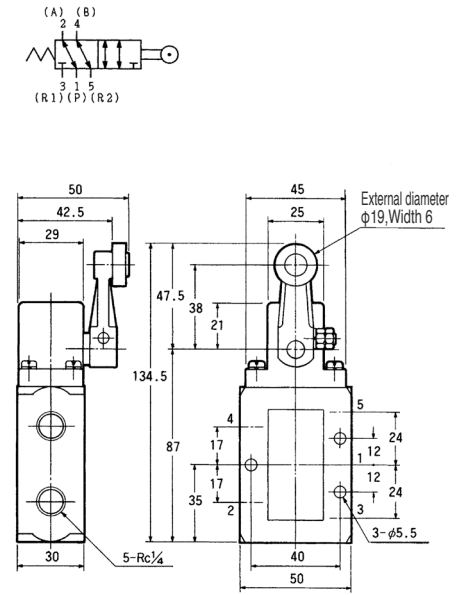
MSV2406-VA (Unit: mm)



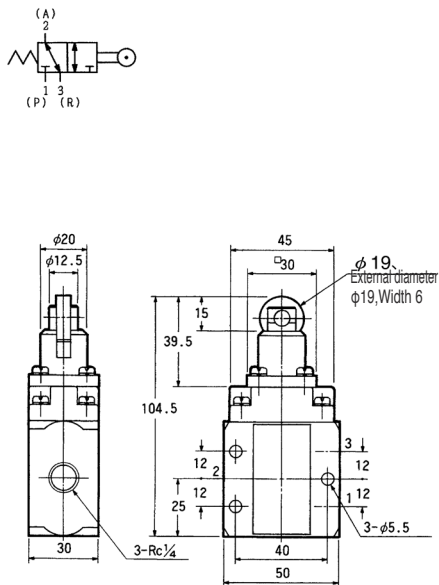
MSV2306-RA (Unit: mm)



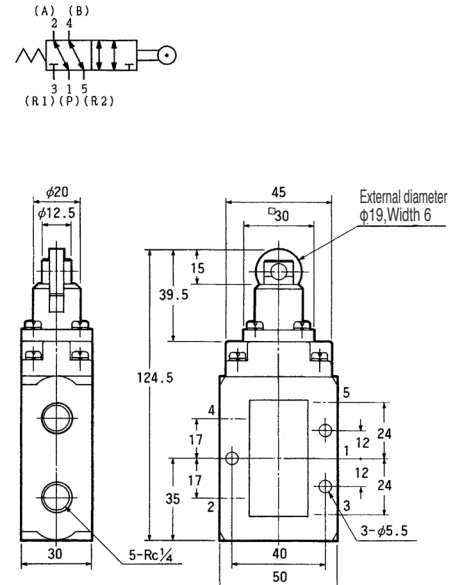
MSV2406-RA (Unit: mm)



MSV2306-RP (Unit: mm)

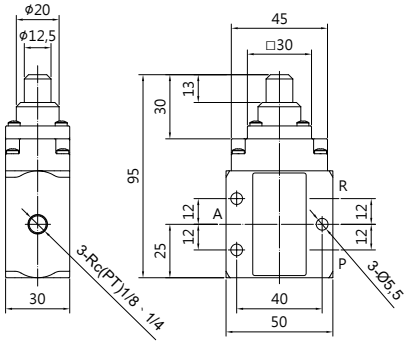
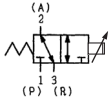


MSV2406-RP (Unit: mm)



MSV2306-PG

(Unit: mm)



MSV2406-PG

(Unit: mm)

