

Sludge Filter / S45, S55, S105 : Coalescing Filter / M45, M55, M105

JIS Symbol



Pressure gauges in the photo are optional.

Representation

S 4 5 D - 0 3 Y B S

Model No.

S45, S55, S105
M45, M55, M105

Material of cup

No mark : Plastic bowl
D : Metal bowl without mark

Port size

02 : Rc $\frac{1}{4}$
03 : Rc $\frac{3}{8}$
04 : Rc $\frac{1}{2}$
06 : Rc $\frac{3}{4}$



Bracket

No mark : No bracket
BS : Direct mounting bolt
BM : Both sides
BF : Rear side

Way of water discharge

No mark : Manual drain
Y : Spring drain
S : Drainmaster
M : Automatic drain
(Note) S45 has no automatic discharge type

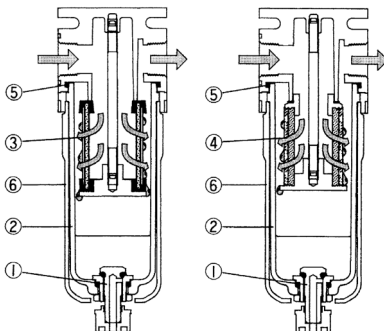
Specifications

Model No.	Unit	S45	M45	S55	M55	S105	M105
Port size		Rc $\frac{1}{4}$		Rc $\frac{1}{4}$, $\frac{3}{8}$, $\frac{1}{2}$		Rc $\frac{1}{2}$, $\frac{3}{4}$	
Filter rating	μm	0.3	0.01	0.3	0.01	0.3	0.01
Max. operating pressure	MPa (kgf/cm 2)	1 [10] (D : 1.4 [14])					
Surrounding temperature range	$^{\circ}\text{C}$	5 ~ 50 (D : 5 ~ 65)					
Filter bowl capacity	cm 3	22		45		100	
Reduced max. flow	l/min (ANR)	250	200	340		750	
Weight	kg	0.17		0.3		0.61	

Construction

Poor-quality oil filter

Oil mist separator



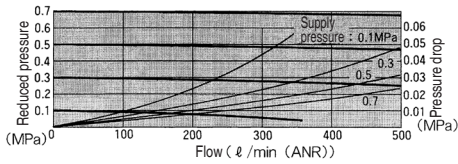
Components and Parts

No.	Name	S45/M45	S55/M55	S105/M105	Material
1	Drain cock		B450207		POM
2	Plastic bowl	B450202	B550302	B1050402	PC
3	Element (0.3 μm)	S450204	S550204	S1050204	—
4	Element (0.01 μm)	M450204	M550204	M1050204	—
5	Bowl gasket	B45BB01	B55BB01	AS138	NBR
6	Bowl guard	—	B550303	B1050403	PE(PA)

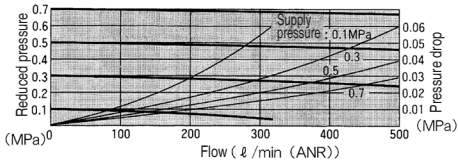
Flow characteristics

(Unit : mm)

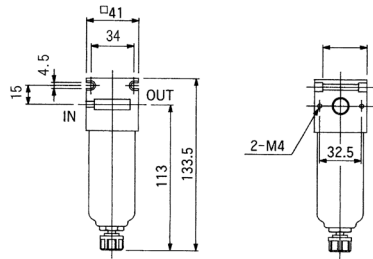
S45



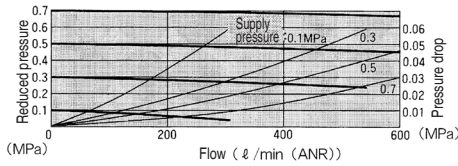
M45



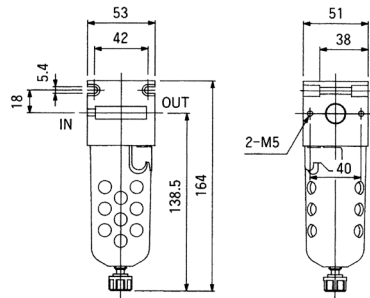
S45/M45



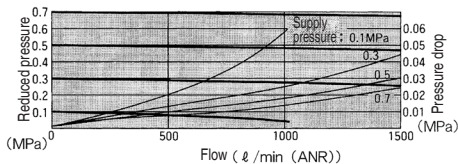
S55/M55



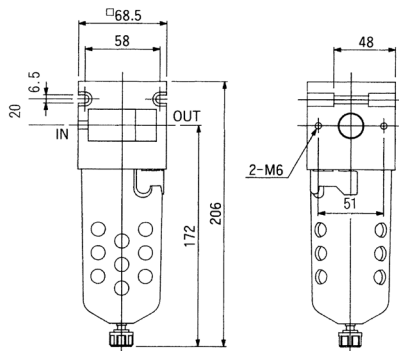
S55/M55



S105/M105



S105/M105



QUBE